



Power Tools & Power Accessories




T80252 24V Cordless 1/2" Dr. Impact Wrench

- Maximum torque: 350ft.lbs (480Nm)
- Working torque: 300ft.lbs (420Nm)
- Ergonomic soft grip for comfort
- Metal front housing for prolonged service life
- Forward-Reverse power control
- Heavy-duty 24V battery pack
- 4pc CRV sockets included



Voltage	24V
Battery	2,400mAh Ni-Mh
Speed	2,300rpm
Chuck	13mm
Charging Time	1Hour
Max. Torque Force	480Nm


T80506 18V Li-Ion Cordless Drill

- 13mm Keyless chuck with auto lock
- 24-Torque settings drill mode
- 2-Speed gearbox for various speed control
- Ergonomic cushion grip
- Built-in LED work light
- LCD battery indicator



Voltage	18V
Battery	1,500mAh Li-ion
Speed	0-350rpm / 0-1,250rpm
Torque Force	23-25Nm
Charging Time	1Hour


T80550 18V Cordless Drill

- 10mm Keyless chuck for quick and easy bit changing
- Two speed gear box for drilling with variable speed up to 1,200rpm
- Hammer function
- Integrated LED flashlight for drilling in dark places
- Ergonomic, cushioned grip handle for comfort



Voltage	18V
Battery	1,500mAh Ni-Mh
Speed	0-400rpm / 0-1,200rpm
Chuck	10mm
Charging Time	1Hour

T80549 18V Cordless Circular Saw

- High performance motor for efficient cutting
- Keyless bevel angle and cutting depth adjustment
- Spindle lock for easy blade replacement
- Ergonomic cushioned grip



Voltage	18V
Battery	1,500mAh Ni-Mh
Speed	3,400rpm
Blade Size	136mm
Charging Time	1Hour


T80548 18V Cordless Jig Saw

- High performance motor for efficient cutting
- Pendulum function
- Cushioned grip for maximum comfort



Voltage	18V
Battery	1,500mAh Ni-Mh
Speed	3,000rpm
Cutting Capacity	
Steel	8mm
Wood	80mm
Charging Time	1Hour


T80552 18V Cordless Reciprocating Saw

- High performance reciprocating mechanism provides optimized power to weight ratio
- Variable speed trigger for quick controlled
- Lock-off switch ensures safety operating
- Lever-action keyless blade clamp for quick and easy blade replacement
- Pivoting shoe with open top for high stability and blade visibility during the cut
- Anti-slip cushioned grip for comfort



Voltage	18V
Battery	1,500mAh Ni-Mh
Speed	0-3,000rpm
Charging Time	1Hour




T80540 18V Cordless Angle Grinder

- Aluminum gear housing for performance & durability
- Spindle lock for easy disc replacement
- High performance motor for efficient cutting
- Multi-position handle for convenience
- Slim body design ensures a secure grip at all times



Voltage	18V
Battery	2,400mAh Ni-Mh
Speed	7,000rpm
Disc Size	115mm


T80555 18V Cordless Planer

- Lock-off button for safety operating
- Micro depth adjustment for precise control
- Precision machined aluminum base for planing accuracy



Voltage	18V
Battery	2,400mAh Ni-Mh
Speed	13,000rpm
Planing Width	82mm
Planing Depth	1mm
Charging Time	1Hour


T80551 18V Cordless Delta Sander

- Velcro sanding base
- Ergonomic cushioned grip for comfort



Voltage	18V
Battery	1,500mAh Ni-Mh
Speed	9,000rpm
Charging Time	1Hour

T80545 12V Cordless Orbital Buffer

- Small and lightweight design
- Cushioned grip handle for maximum comfort



Voltage	12V
Battery	1,300mAh Ni-Mh
Speed	3,500rpm
Chassis Diameter	240mm


T80510 7.2V Li-ion Cordless Mini Grinder

- Small and lightweight design
- Cushioned grip for maximum comfort



Voltage	7.2V
Battery	1,500mAh Li-ion
Speed	8,000-22,000rpm
Chuck Size	2.3-3.2mm


T80385 Powerful 3HP Portable Electric Vacuum-Blower

- Powerful 3HP electric 120Volt motor
- Works as a vacuum or blower
- Self contained permanent bag
- Quick clamp release for easy cleaning
- Portable & lightweight
- Combination Wall Mount and Portable Vacuum-Blower

Includes:

- 6' Suction Hose
- Shoulder Strap
- 2 - 20" Extension Tubes
- Wall Mounted Vacuum Bracket
- Wall Mounted Attachment Holder
- 8 - Miscellaneous Attachments



T80275 18V Cordless Grease Gun

- Cordless - no more cord tangling
- Heavy duty motor generates up to 10,000 PSI pressure
- Continuous grease flow volume: 75 grams (2.65oz.) per minute
- Heavy duty high pressure hose equipped with a two-end spring jacket
- Extra long 42" (106cm) professional-grade flex hose for hard-to-reach places
- 3-Way loading:
cartridge, suction & filler pump
- Shoulder strap to reduce operator fatigue
- 14.5oz. Capacity reservoir tube



Voltage	18V
Battery	1,500mAh Ni-Mh
Flow Rate	75g/min
Charging Time	1Hour
Max. Operating Pressure	10,000PSI
Grease Reservoir	14.5oz.
Long Flex Hose	106cm


T80808 1050W Rotary Hammer

- SDS Plus chuck for quick drill replacement
- Pneumatic hammer function
- Impact / drill / chisel function for various applications
- Cushioned grip for comfort



Voltage / Frequency	230V~50Hz
Power	1,050W
Speed	0-800rpm
Drilling Capacity	
Steel	13mm
Concrete	32mm
Wood	36mm
Chuck	13mm



T80806 800W 3 Functions Electric Hammer

- SDS Plus chuck for quick drill replacement
- Pneumatic hammer function
- Impact / drill / chisel function for various applications
- Cushioned grip for maximum comfort



Voltage / Frequency	230V~50Hz
Power	800W
Speed	0-1,000rpm
Drilling Capacity	
Steel	13mm
Concrete	26mm
Wood	30mm
Chuck	13mm


T80801 1050W Impact Drill

- 13mm Keyless chuck with auto-lock
- 360° Auxiliary handle with cover for advantage use
- Aluminum alloy gear housing for performance and durability
- Comfortable firm grip handle



Voltage / Frequency	230V~50Hz
Power	1,050W
Speed	0-3,000rpm
Drilling Capacity	
Steel	13mm
Concrete	20mm
Wood	30mm
Chuck	Keyless 13mm


T80800 720W Impact Drill

- 13mm Keyless chuck for quick and easy bit changing
- 360° Auxiliary handle with cover for advantage use
- Aluminum alloy gear housing ensures performance and durability
- Cushioned grip for maximum comfort



Voltage / Frequency	230V~50Hz / 120V~60Hz
Power	720W
Speed	0-2,700rpm
Drilling Capacity	
Steel	13mm
Concrete	16mm
Wood	25mm
Chuck	Keyless 13mm




T80815 2200W Angle Grinder

- Aluminum alloy gear housing for performance and durability
- Spindle lock for easy disc replacement
- Multi-position handle with cover for advantage use
- Safety large trigger switch for comfortable operation



Voltage / Frequency	230V~50Hz
Power	2200W
No-Load Speed	5,800rpm
Disc Size	230mm


T80814 850W Angle Grinder

- Aluminum alloy gear housing for performance and durability
- Spindle lock for easy disc replacement
- Multi-position handle with cover for advantage use
- Slim body design ensures secure grip



Voltage / Frequency	230V~50Hz
Power	850W
No-Load Speed	11,000rpm
Disc Size	125mm


T80813 710W Angle Grinder

- Aluminum alloy gear housing for performance and durability
- Spindle lock for easy disc replacement
- Multi-position handle with cover for advantage use
- Slim body design ensures secure grip



Voltage / Frequency	230V~50Hz / 120V~60Hz
Power	710W
No-Load Speed	10,500rpm
Disc Size	115mm

T80835 650W Reciprocating Saw

- 20mm Stroke length for superior cutting performance
- Quick-release blade changing system
- Lock-off switch for safe operation
- Ergonomic cushioned grip handle



Voltage / Frequency	230V~50Hz / 120V~60Hz
Power	650W
Speed	500-3,000rpm
Stroke Length	20mm


T80832 710W Jig Saw

- High performance motor for high efficiency cutting
- Pendulum function
- Cushioned grip for maximum comfort



Voltage / Frequency	230V~50Hz / 120V~60Hz
Power	710W
Speed	500-3,000rpm
Drilling Capacity	
Steel	8mm
Wood	80mm


T80838 1350W Circular Saw

- Laser light for precise and visible sawing
- Spindle lock for easy blade replacement
- Aluminum alloy footplate for performance and durability
- Adjustable bevel and depth lever
- Ergonomic cushioned grip



Voltage / Frequency	230V~50Hz / 120V~60Hz
Power	1350W
Speed	4,500rpm
Blade Size	185mm
Cutting Capacity	45° - 40mm 90° - 63mm


Laser Light



T80938 1800W Wall Chaser

- Equipped with a powerful 1800 Watt motor to run two 180mm diamond blades with no bogging
- Motor is protected by a smart electronic overload (No thermal switch to wait for: just release the switch and start again)
- Ergonomic handles allow a variety of holding positions for comfortable cutting
- Roller base for smooth action and precise control
- Various spacers to create channels up to 51mm in width and to a depth of up to 54mm
- Overload protection



Voltage	230V~50Hz / 120V~60Hz
No Load Speed	4,100rpm
Power Input	1800W
Max. Blades Diameter	180mm (7")
Channel Width	9~51mm (3/8"~2")
Max. Cutting Depth	15~54mm (9/16"~2-1/8")


T80911 1700W 230mm Metal Cutting Circular Saw

- Super-quick chip clearing with our unique bayonet-type blade cover latch
- Ergonomic handle shape and position with soft TRP grip for maximum comfort and fatigue-free operation
- High stability base with quick, tool-free depth adjustment including clearly marked scales
- High motor output for maximum torque to perform even the most challenging cuts
- Safety features include a lock-off switch and spark/chip containing design



Motors Available	230V~50Hz / 120V~60Hz
No-Load Speed	260rpm
Power	1700W
Bevels	0~45Degrees
Blade	230mm (9")
Arbor	30mm (1-3/16") or 25.4mm (1")
Cutting Capacity	Straight Cut: 84mm (3-3/16")
	45 Degree Bevel: 56mm (2-3/16")

T80841 1900W 255mm Miter Saw

- Transparent moveable guard for excellent visibility and operator safety
- Spindle lock for fast and easy blade replacement
- Large comfort switch and rubber D-handle for enhanced control and comfort
- Dust collecting bag ensures clean working environment



Voltage / Frequency	230V~50Hz
Power	1900W
Speed	4,500rpm
Spindle Dia.	16mm
Slide Cut Length	192mm
Blade Size	255mm
Miter / Bevel	
0° - 90°	91 x 305mm
0° - 45°	91 x 205mm
45° - 0°	50 x 305mm
45° - 45°	50 x 205mm


T80842 1900W Miter Saw

- Transparent moveable guard for excellent visibility and operator safety
- Spindle lock for fast and easy blade replacement
- Large comfort switch and rubber D handle for enhanced control and comfort
- Dust collecting bag ensures clean working environment



Voltage / Frequency	230V~50Hz / 120V~60Hz
Power	1900W
Speed	4,500rpm
Blade Size	255mm
Cutting Capacity	
0° - 90°:	134 x 72mm, 160 x 46mm
45° - 90°:	93 x 72mm, 112 x 41mm
0° - 45°:	150 x 41mm
45° - 45°:	100 x 41mm


T80921 1600W 254mm Compound & Slide Compound Mitre Saw

Motors Available	120V / 60Hz
No-Load Speed	3,500rpm (60Hz)
Power	1600W
Bevels	0 to 45°
Miters	0 to 45° Left and Right
Blade	254mm (10")
Arbor	30mm (1-3/16") or 25.4mm (1")
Base Dimensions	460 x 450mm
Slide Cutting Capacity	90 Degree Miter: 300mm x 60mm (11-13/16" x 2-3/8")
	45 Degree Miter: 212mm x 60mm (8-3/8" x 2-3/8")


Standard Accessories:

- Arbor lock bar
- M24/27 open-end wrench
- M13 combination wrench
- Vacuum port
- M10 combination wrench
- Vise


T80827 900W Belt Sander

- Quick release belt changing system
- Belt centering system adjustment
- Ergonomic cushioned handle



Voltage / Frequency	230V~50Hz
Power	900W
Speed	200-380 m/min
Sanding Pad Size	76 x 533mm


T80825 200W Finish Sander

- Lock-on button for continuous operation
- Integrated dust gangway and vacuum connector for dust extraction
- Dual cushioned grip for comfort



Voltage / Frequency	230V~50Hz
Power	200W
Speed	11,000rpm
Sanding Pad Size	90 x 187mm


T80826 135W Mouse Sander

- Rocker switch for continuous operation
- Quick fit sanding paper for faster sanding action
- Integrated dust gangway and vacuum connector for dust extraction
- Ergonomic soft trigger and grip



Voltage / Frequency	230V~50Hz
Power	135W
Speed	13,000rpm
Sanding Pad Size	140 x 140 x 80mm

T80856 900W Electric Planer

- Lock-off button for safe operation
- Micro depth adjustment for precise control
- Precision machined aluminum base for planing accuracy



Voltage / Frequency	230V~50Hz
Power	900W
Speed	17,000rpm
Planing Width	82mm
Planing Depth	2mm
Rabbeting Depth	15mm


T80700 3pc Mini Power Tool Set

- Mini, portable design
- High performance motor for high efficiency operation


① 280W Planer:

Voltage / Frequency	230V~50Hz / 120V~60Hz
Power	280W
No-Load Speed	18,000rpm
Planing Width	50mm
Planing Depth	0.6mm


② 280W Belt Sander:

Voltage / Frequency	230V~50Hz / 120V~60Hz
Power	280W
No-Load Speed	380m/min
Size	40 x 303mm


③ 280W Router:

Voltage/Frequency	230V~50Hz / 120V~60Hz
Power	280W
No-Load Speed	33,000rpm
Max Depth	15mm


T80850 25W Electric Caulking Gun

- Ergonomic, balanced design for maximum performance and comfort
- Lock-off button for safe operation
- Variable speed switch for working pressure control



Voltage / Frequency	230V~50Hz
Power	25W
Speed	60-300mm/min

T80853 2000W Hot Air Gun

- Variable heat settings from 60-650 degrees
- Three blower levels
- 2000W powerful motor
- LCD display



Voltage / Frequency	230V~50Hz
Power	2000W
Temperature	60-650 °C
Air Volumn	350 / 350 / 550L/min

T21500 Hot Air Gun Kit (1500w)

- Delivers powerful, heated airflow with temperature control
- Excellent for
 - Removing / stripping paint and varnish
 - Shrinking / softening adhesives
 - Molding / welding plastics
 - Heat shrink tubing
 - Thawing / drying parts
- Position 1: 750w, 300°C, 280L/min
- Position 2: 1500w, 500°C, 480L/min



T80820 500W Electric Polisher

- Slim body design ensures secure grip
- Aluminum alloy gear housing for performance and durability
- Spindle lock for easy disc replacement
- Big rear handle for advantage use
- Lock-on button for extended use
- Variable speed control system for facile operating



Voltage / Frequency	230V~50Hz
Power	500W
No-Load Speed	1,200-5,000rpm
Disc Size	125mm


T80847 1500W Electric Router

- Micro depth adjustment for precise control
- Spindle lock for easy bit replacement
- Aluminum base
- Comfortable firm grip handle



Voltage / Frequency	230V~50Hz
Power	1,500W
Speed	6,000-26,000rpm
Plunge Depth	0-50mm
Collet Size	12mm


T80858 900W Electric Biscuit Jointer

- Ergonomic easy-to-grip barrel design for maximum comfort
- Convenient thumb control power switch
- 6 Settings cutting depth adjustment wheel regulate biscuit sizes
- Spindle lock for easy blade replacement
- Dust collecting bag ensures clean working environment



Voltage / Frequency	230V~50Hz
Power	900W
Speed	12,000rpm
Blade Size	100mm



T80922 550W Auto Feed Screwdriver

- Provides the quickset possible fastening for drywall screws
- Tool-free for removal of auto feed magazine and setting screw length
- Auto feed magazine can turn 180 degrees for work in tight spaces
- Thumb operated screw depth selector
- Easy to remove auto feed magazine for use as standard (reversible) screwdriver
- Excellent weight balance and superb ergonomic shape makes this tool easy to use single-handedly
- Belt clip for attaching to belt or holster



Voltage	230V~50Hz
Power Input	550W
No-Load Speed	0 ~ 4,000rpm
Maximum Torque	13.5N.m
Screw Length	15~55mm
Screw Outer Diameter	3~5mm
Quick Change Arbor	1/4"

Standard Accessories:

- Phillips bit #2 (25mm L)
- Standard screwdriver head
- 1/4" Magnetic connector
- Extension bit 150mm (L) No. 2 Phillips head
- Blow molded case
- * Collated Screws not Included

T80936 1200W Scouring Machine

- Versatile for removal of soft plaster surfaces; elastic protection on walls and floors; foam crests and adhesive remainders; asphalt and protective coatings for concrete; latex or oil paint on gypsum surface; and removal of impurity and contamination on concrete surfaces
- Superior at grinding off irregularities and protections on plaster flooring and roughing, cleaning and smoothing out irregularities of aged concrete
- Movable rubber base platform bends and swivels according to the surface, putting less strain on the operator's wrists
- Ergonomically designed to decrease user fatigue
- Side handle (able to attach to either side of the machine) improves handling of machine
- Dust free operation-attaches directly to standard vacuum hose
- All three types of abrasive materials: carbide cutter discs, diamond cup grinding heads and TC grinding heads are easily replaced when worn out



Voltage	230V~50Hz
Power Input	1,200W
No load Speed	2,800rpm
Milling Head	125mm
Milling Depth	1-6mm

Standard Accessories:

- Side handle
- T-wrench
- Pyramid-shaped cutter discs
- Plastic clip
- Wheel puller



T80916 1100W Electric Beveler

- Quick and convenient solution for adding bevels and deburring
- Excellent for following curved shapes
- Variable speed for working with a variety of materials
- Uses standard triangle carbide inserts
- Quick and easy tool-free bevel depth setting



Voltage	230V~50Hz / 120V~60Hz
No Load Speed	3,000~6,000rpm (Variable Speed)
Power Input	1200W
Bevel Angle	45° (Optional 30°)
Maximum Bevel Height (45°)	6mm
Minimum Diameter for Inside Bevels	20mm



T80943 550W Electric Drywall Sander

- 4m Hose with bayonet swivel connection
- Designed to work with a vacuum so there is less dust in the air, less sandpaper clogging and no after-cleanup needed
- Pivoting sanding head for swirl-free finish
- Adjustable speed tailored for best results on work surfaces
- Hook and loop backed sandpaper discs and backing pads take only seconds to change
- Less scaffolding is needed since it can access most ceilings just standing on the floor
- Excellent balance and lightweight for effortless operation



Voltage	230V~50Hz / 120V~60Hz
No Load Speed	650~1,600rpm
Full Load Speed	280~950rpm
Power Input	550Wt
Grinding Disc	Ø 225mm (8-7/8")
Length	154cm (61")





Electric Mixer



- Combination of revolutionary ergonomic design, sturdy mechanics and torque feedback electronics
- Unique handle design results in perfect hand position with 15 degree tilt for fatigue-free operation
- Rubber grip for maximum comfort
- Torque feedback function maintains maximum torque at any speed
- Changing speed without leaving the handles is easy with the speed adjustor thumb wheel
- Mixes at maximum efficiency with any kind of material

Model No.	T80930	T80931
Power Input	1,100W	1,300W
Voltage	230V~50Hz / 120V~60Hz	
Output (N-m)	13.18	14.7
Number of Gears	1	2
No Load Speed	250~700	150~400 / 250~700
Protection	Double Insulation / Class 2	
Coupling Thread	M14-20	
Mixing Paddle Max. Diameter	120mm	140mm
Electronic Speed Control	√	√

* Mixing paddle not included

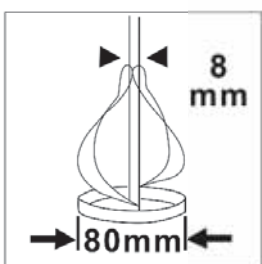


T25760 Paint Mixer (Medium)

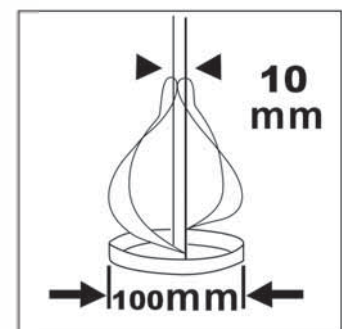
- Ideal for stirring paint when using a power tool
- 400mm hexagonal shaft
- 80mm diameter head

T25761 Paint Mixer (Large)

- Ideal for stirring paint when using a power tool
- 600mm hexagonal shaft
- 100mm diameter head



T25760



T25761